

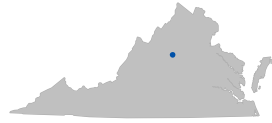


Virginia Department of Transportation

RIVANNA TRAIL AND TYPICALS

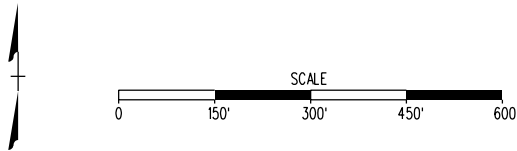
RIVANNA RIVER BIKE AND PEDESTRIAN CROSSING

Project Location



CHARLOTTESVILLE, VA

North Arrow & Scale



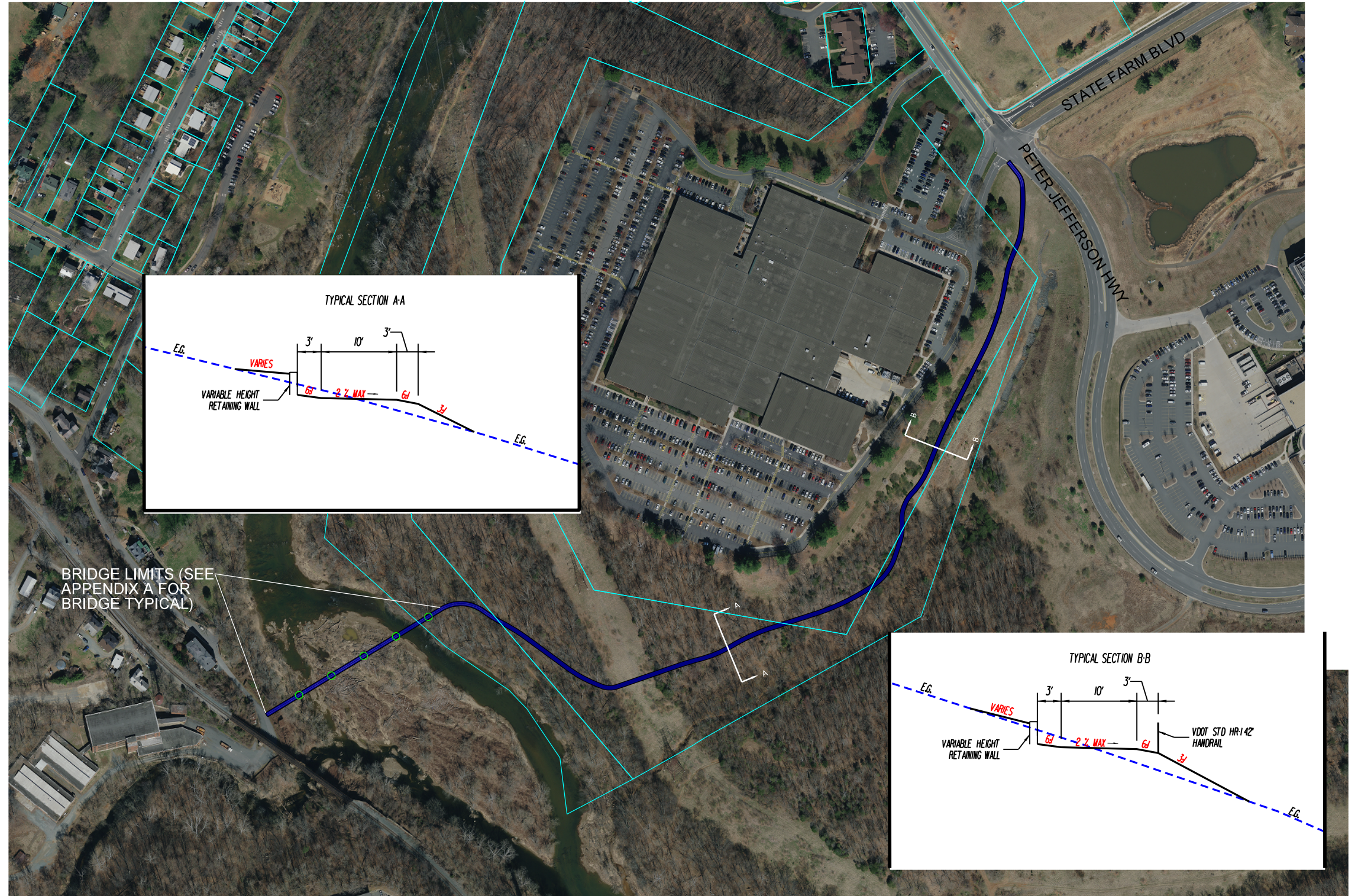
Legend

- PARCEL LINES
- PROPOSED PEDESTRIAN PATH AND BRIDGE
- PROPOSED BRIDGE PIER LOCATION

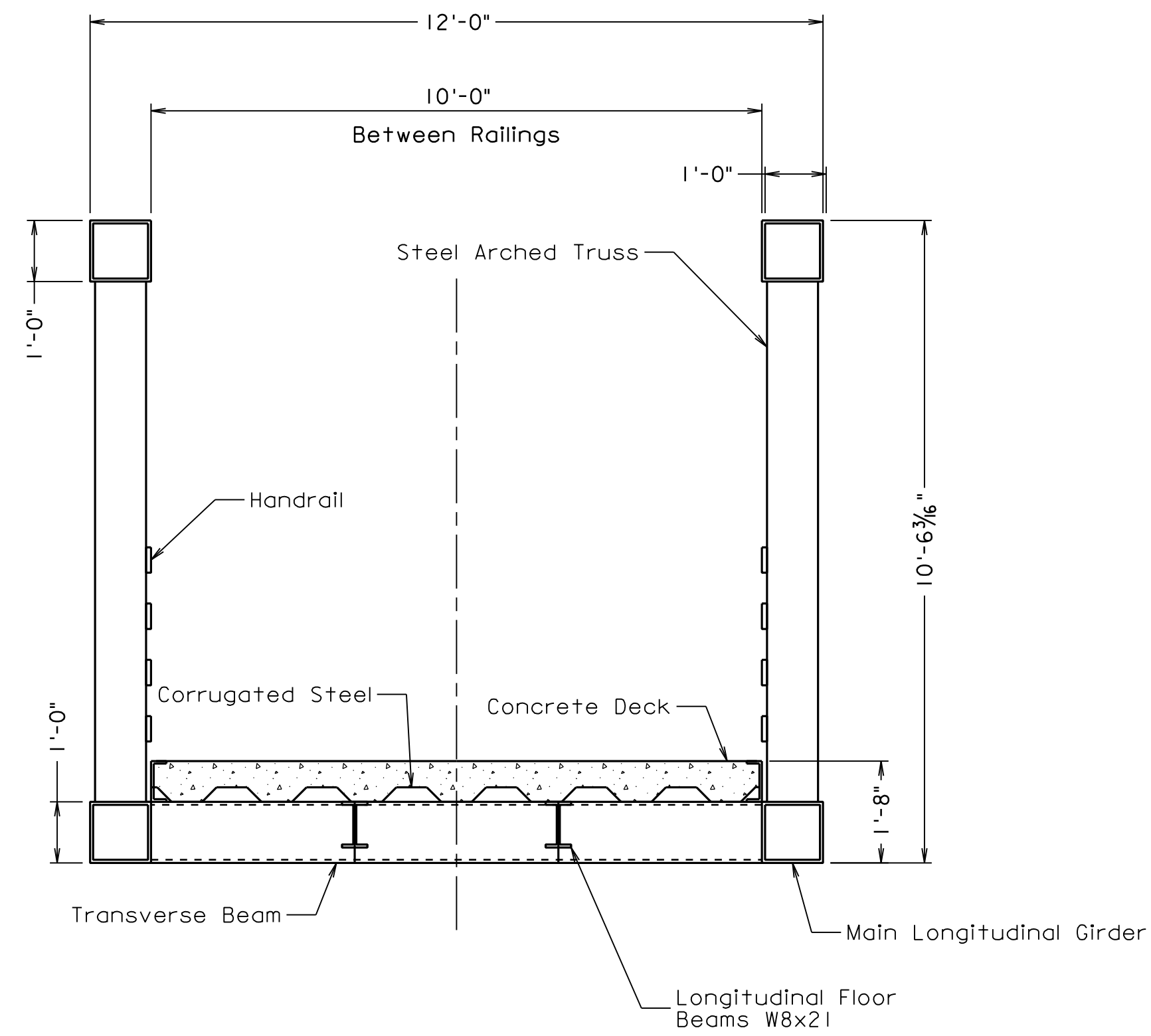
Date

5/3/2022

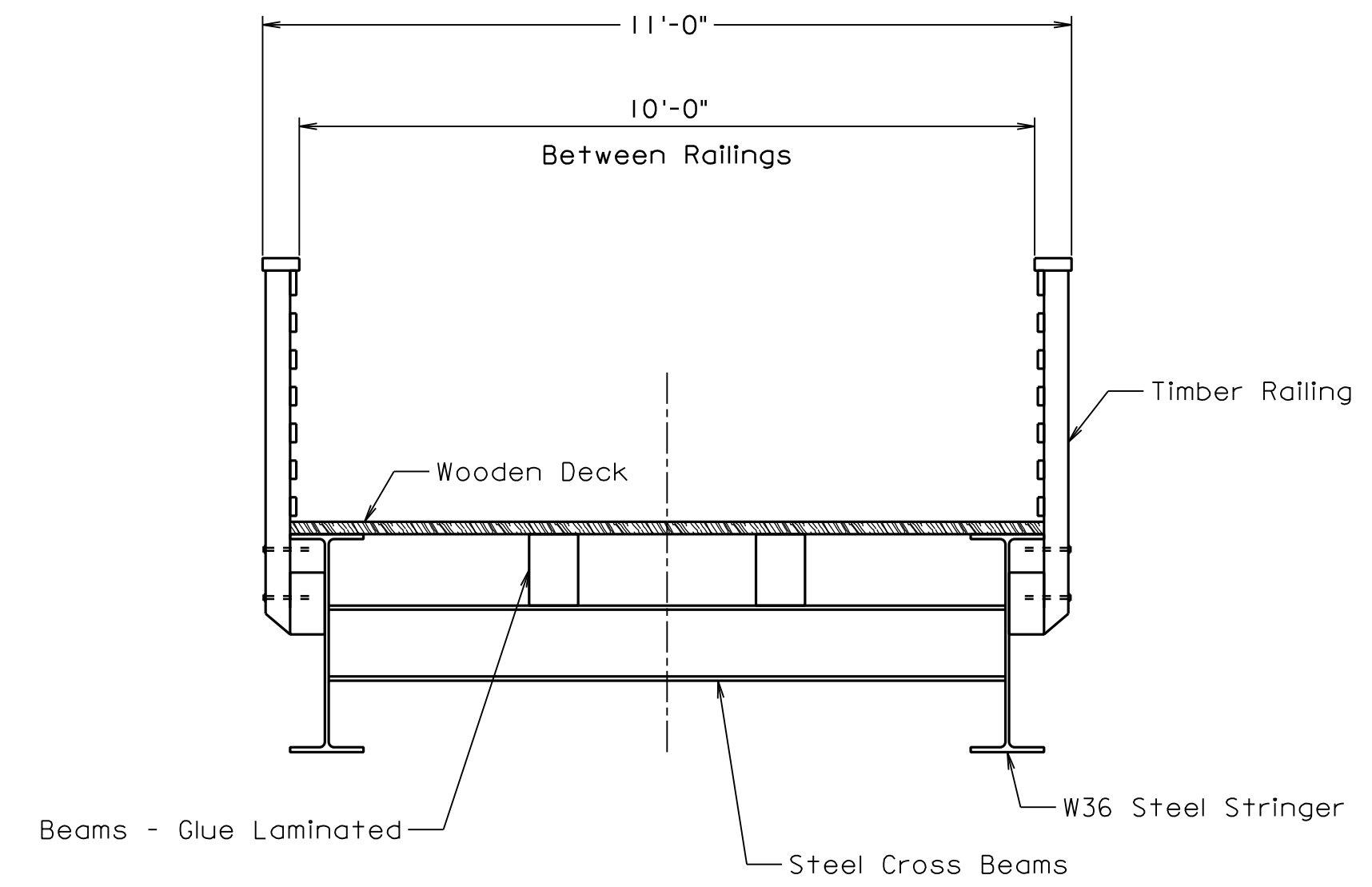
Michael Baker
INTERNATIONAL



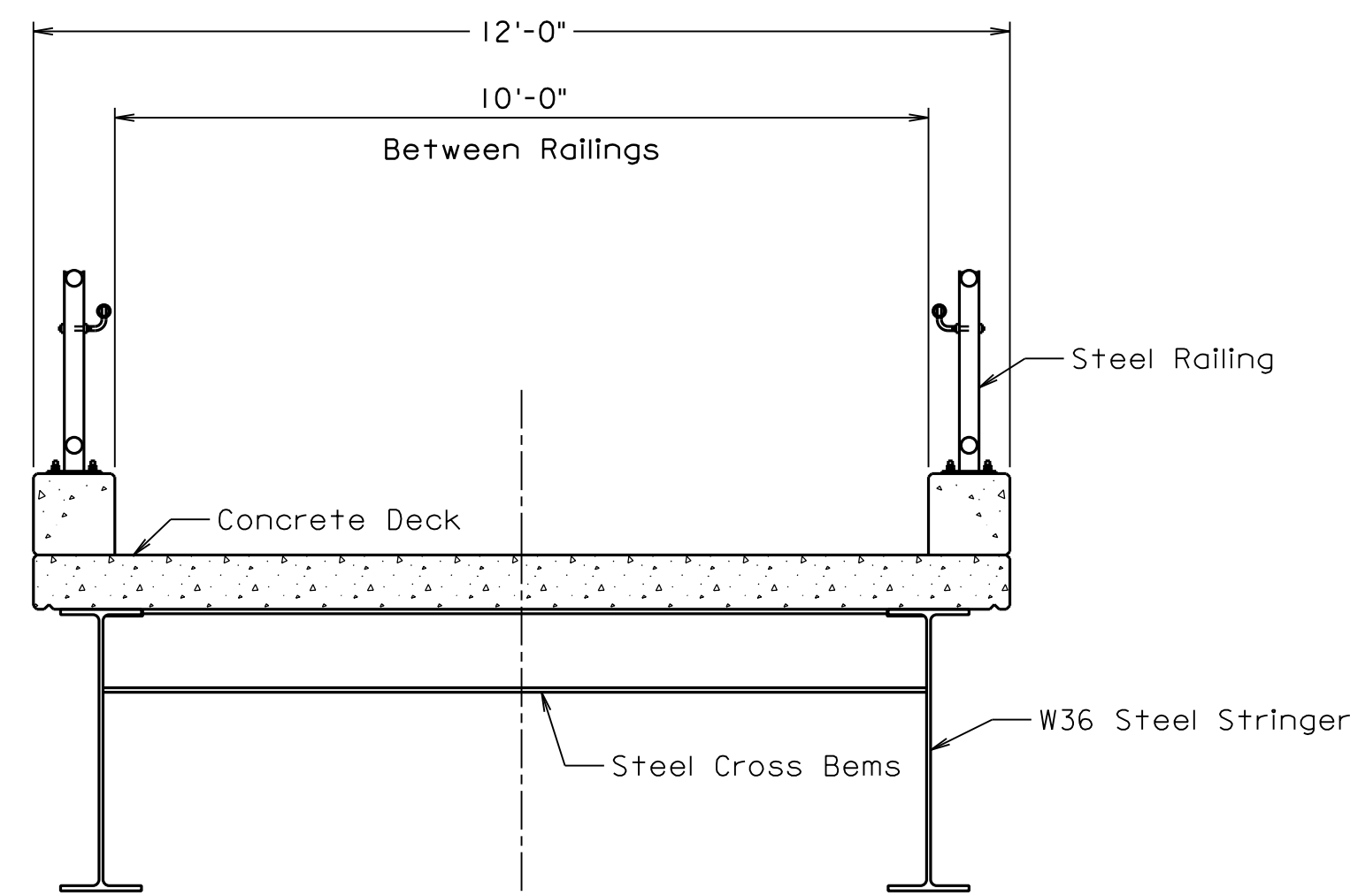
APPENDIX A



TYPICAL SECTION
OPTION A



TYPICAL SECTION
OPTION B



TYPICAL SECTION
OPTION C

4/28/2022 10:37:40 AM
Rivanna_Typical_Sections.dgn

| NO. | DATE | BY | REVISION |
|-----|------|----|----------|
| | | | |
| | | | |
| | | | |
| | | | |
| | | | |
| | | | |
| | | | |
| | | | |
| | | | |
| | | | |

Michael Baker
INTERNATIONAL

272 Bendix Road, Suite 400
Virginia Beach, VA 23452
Phone (757) 463-8770
Fax (757) 463-0503
<http://www.mbakintl.com>

10% SUBMITTAL
THESE PLANS ARE UNFINISHED AND UNAPPROVED AND ARE NOT TO BE USED FOR ANY TYPE OF CONSTRUCTION OR THE ACQUISITION OF RIGHT OF WAY.

| | | | |
|------------|---------------------|--------------|-----------------|
| SCALE | HORIZ: 1/2" = 1'-0" | PROJECT NO. | 189256 |
| | VERT: 1/2" = 1'-0" | TASK NO. | |
| DATE: | April 2022 | CADD FILE | |
| DRAWN BY: | TNB | APPROVED BY: | MK |
| DESIGN BY: | SMD | | |
| | | | Rivanna_TypSect |

VDOT CULPEPPER DISTRICT
RIVANNA RIVER PEDESTRIAN PATH CONCEPT
RIVANNA RIVER PATH CROSSING BRIDGE

TYPICAL SECTIONS

SHEET
1
OF
1
SHEETS

